

## Rotary Valve Filter ASF DAK & DAK XL

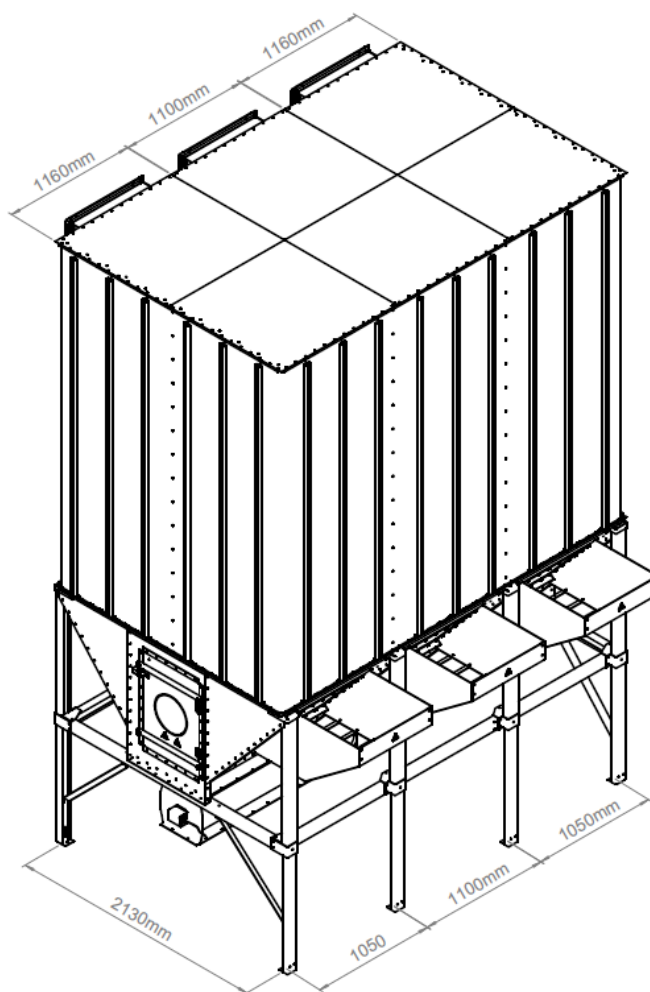
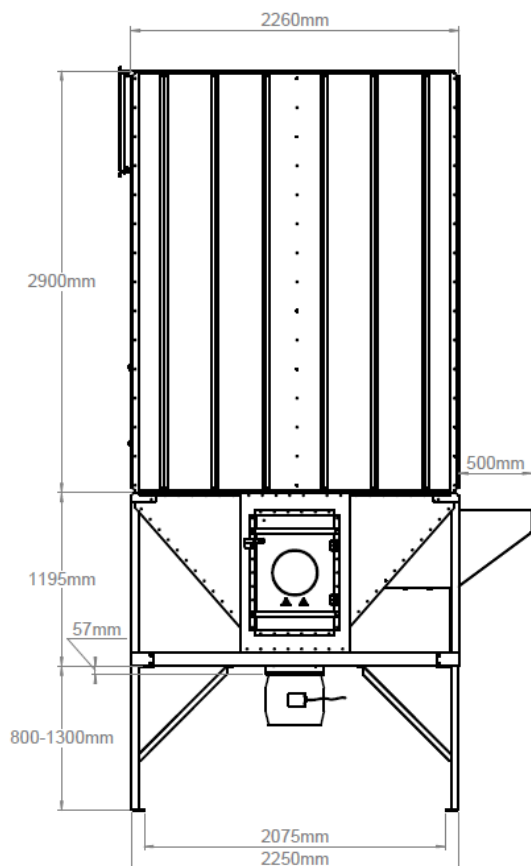


- *Environmental friendly*
- *Reliable*

- *Minimal maintenance*
- *Flexible modular concept*

The rotary valve filter is ideally suited for medium-sized quantities of chips and air. The filter can also be fitted with a screw conveyor which is adapted to the special composition of chips.

Furthermore, the rotary valve filter can be designed to handle quantities of air up to approx. 25,000 m<sup>3</sup>/h. In case of larger quantities of air we would recommend a chain filter.



Rotary filter ASF	DAK	DAK XL
Area m <sup>2</sup> /module:	53,5 m <sup>2</sup>	81,5 m <sup>2</sup>
Filterbags/module:	32 pce.	50 pce
Filterbag media:	PP Alu-coated standard – PE needlefelt as an option.	
Dust emission:*	< 0,2 mg/m <sup>3</sup>	
Rotary valve	Min. Half the length. Meaning ABS1000 for 2 modules.	
ATEX**	Zone 20/21/22 on dust-side. Kmax=150 bar m/s, Pmax=6,3 bar	
Weight kg/module:	Ca. 600 kg	
<b>Elektrical</b>		
Cleaning fan:	1,5 kW / filtermodule – 230/400Vac	
Door switch	1XNC+1xNO	
Ex-sensor	1 x NC – recommend 1 switch per 3 modules	

\* Depending on dust type and composition. It is recommended to use police-filter/return air filter in countries where return air directly to workfloor is allowed. The used of a heat exchanger is a good alternative.

\*\* Explosion calculation acc. to EN 14491 can be done on specific dust-types.

## HIGH-END DUST HANDLING SOLUTIONS & SURFACE TREATMENT

FILTERS - FANS - DUCTING - SILOS - OUTFEEDERS - CONVEYERS - TRUCKLOADERS - CYCLONES - FINISHING LINES

Item no.	Item	Description
140A0800	Rotary valve filter ASF 1 DAK f/ABS 1000	53,5 m <sup>2</sup>
140A0801	Rotary valve filter ASF 2 DAK f/ABS 1000	107,0 m <sup>2</sup>
140A0802	Rotary valve filter ASF 2 DAK f/ABS 1500	107,0 m <sup>2</sup>
140A0803	Rotary valve filter ASF 2 DAK f/ABS 2000	107,0 m <sup>2</sup>
140A0804	Rotary valve filter ASF 3 DAK f/ABS 1500	160,5 m <sup>2</sup>
140A0805	Rotary valve filter ASF 3 DAK f/ABS 2000	160,5 m <sup>2</sup>
140A0806	Rotary valve filter ASF 4 DAK f/ABS 2000	214,0 m <sup>2</sup>

140A0810	Rotary valve filter ASF 1 DAK XL f/ABS 1000	81,5 m <sup>2</sup>
140A0811	Rotary valve filter ASF 2 DAK XL f/ABS 1000	163,0 m <sup>2</sup>
140A0812	Rotary valve filter ASF 2 DAK XL f/ABS 1500	163,0 m <sup>2</sup>
140A0813	Rotary valve filter ASF 2 DAK XL f/ABS 2000	163,0 m <sup>2</sup>
140A0814	Rotary valve filter ASF 3 DAK XL f/ABS 1500	244,5 m <sup>2</sup>
140A0815	Rotary valve filter ASF 3 DAK XL f/ABS 2000	244,5 m <sup>2</sup>
140A0816	Rotary valve filter ASF 4 DAK XL f/ABS 2000	326,0 m <sup>2</sup>

Item No.	Item	Description
140A1100	Supplement assembly filter comp.	1 DAK
140A1101	Supplement assembly filter comp.	2 DAK
140A1109	Supplement assembly hopper	APF/ASF 2 DAK
140A1102	Supplement assembly hopper	APF/ASF 3 DAK
140A1103	Supplement assembly hopper	APF/ASF 4 DAK
140A1104	Supplement assembly hopper	APF/ASF 5 DAK